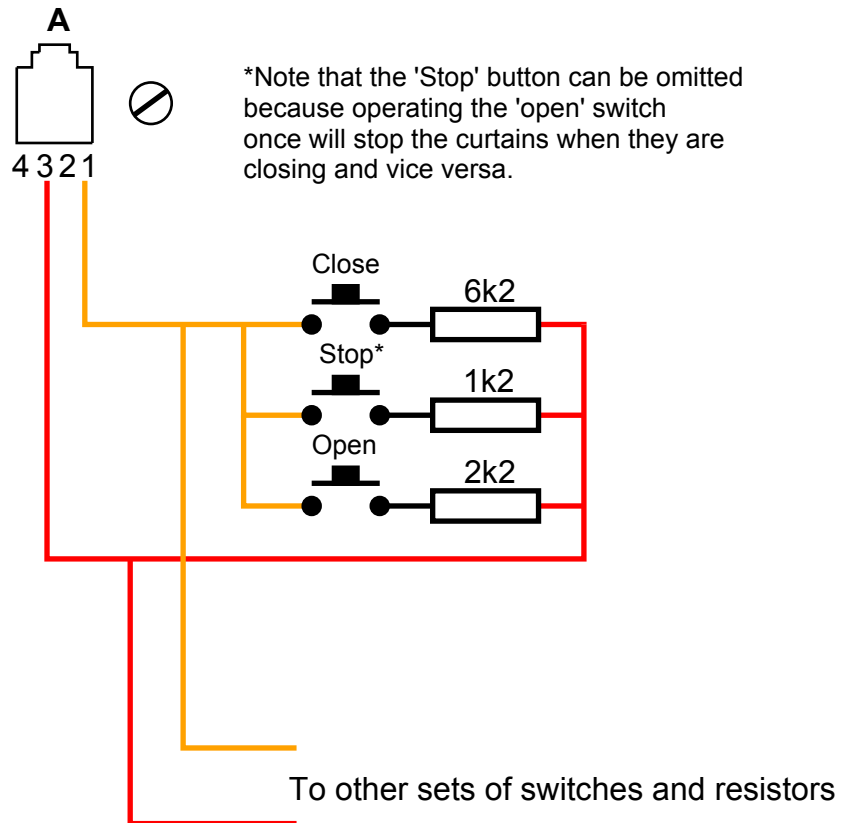
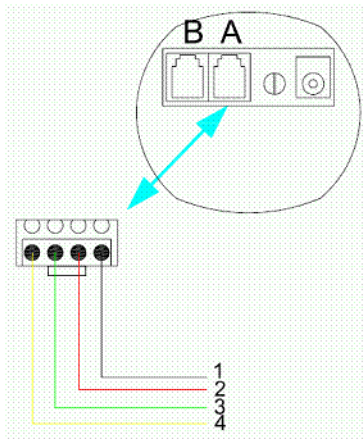


## 5090 Direct motor control wiring.

Use when Timer is not connected to give separate Open, Stop, Close functions.



Several sets of buttons and resistors can be used, but if two buttons are pressed at the same time, incorrect operation might result.